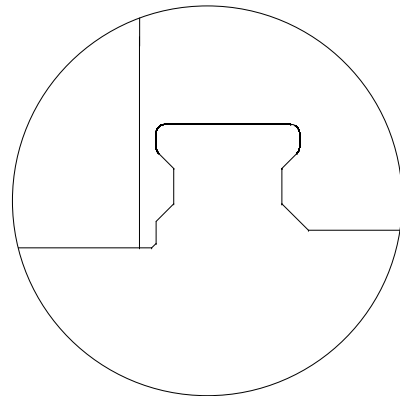
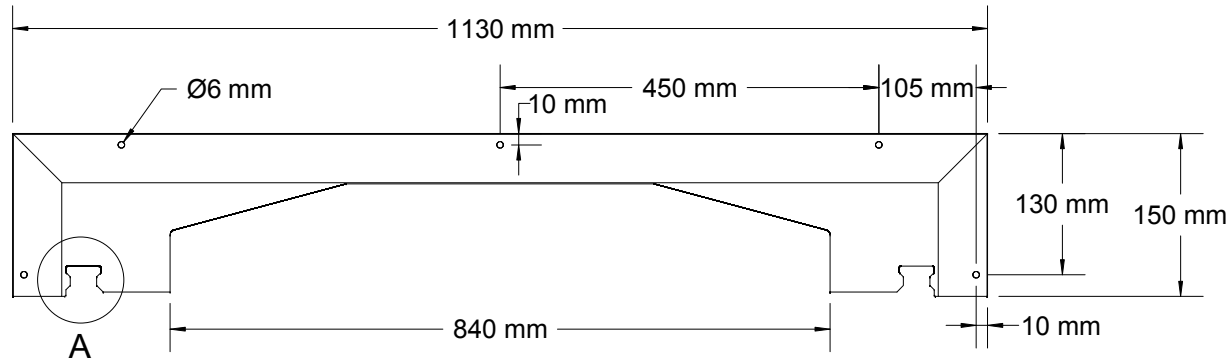
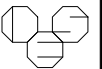
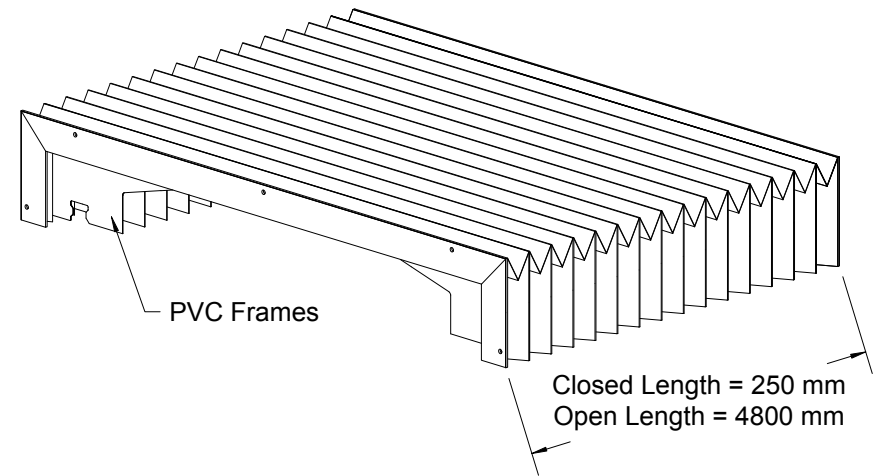


NO.	DESCRIPTION OF CHANGE	SCO	DATE	BY
	NEW ISSUE		09/30/19	DSE



Detail A



TOLERANCES UNLESS OTHERWISE SPECIFIED			
FRACTIONS ±1/64		DECIMALS: .X ±.1 .XXX ±.005	
ANGLES ±1/2°		.XX ±.01 .XXXX ±.001	
DO NOT SCALE DRAWING			
DRAWN	DSE	SCALE	NTS
ENG. MGR.		ENG. CHKD.	
ENG. MGR.		PRODN. APPD.	
MAT'L			
MAT'L SPEC. NO.			
FINISH		PROD.	

THIS DOCUMENT IS THE PROPERTY OF RICHARDSON ELECTRONICS, LTD. AND SHALL NOT BE COPIED, REPRODUCED, USED IN THE MANUFACTURE OR SALE OF APPARATUS OR DISCLOSED TO OTHERS WITHOUT PERMISSION.

Richardson Electronics, Ltd.

X RAIL BELLOW
REPLACES BYSTRONIC'S
P/N 1-10556

NO. RBB556/4020RX REV. — 0