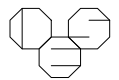
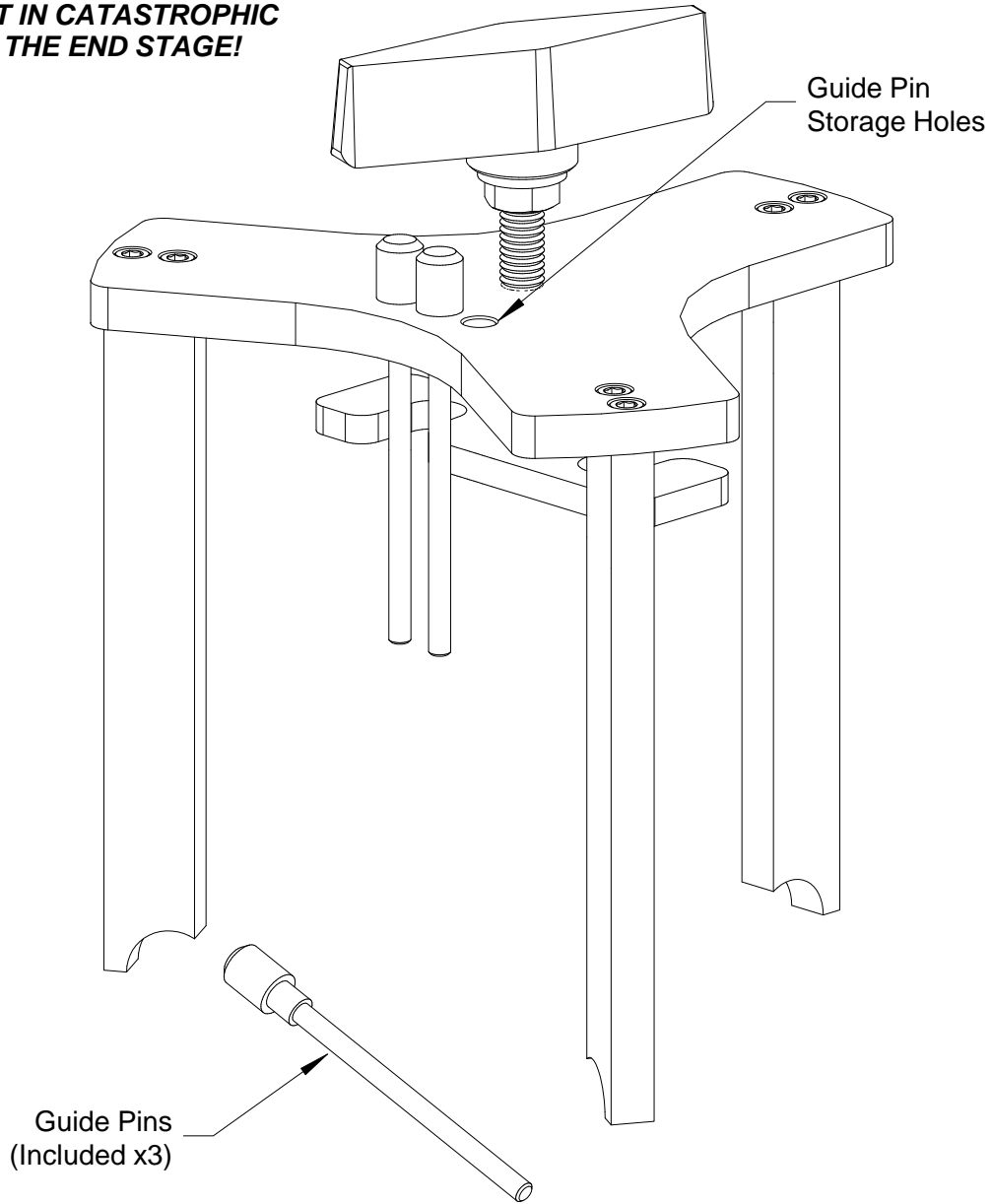


QTY.	PRODUCT	NEXT ASSY. DWG.	NO.	DESCRIPTION OF CHANGE	SCO#	DATE	BY
			0	NEW ISSUE		10/17/12	DSE
			1				
			2				
			3				
			4				

NO. TUBE-EXTRACTOR  
SUPS.DS.

**WARNING!**  
**NEVER LEAVE THIS TOOL INSIDE**  
**THE END STAGE UNIT! TO DO SO**  
**COULD RESULT IN CATASTROPHIC**  
**FAILURE OF THE END STAGE!**



ITEM#	QTY	PART NUMBER	DESCRIPTION
TOLERANCES UNLESS OTHERWISE SPECIFIED FRACTIONS ±1/64      DECIMALS .X ±.1    .XXX ±.005 ANGLES ±1/2°        .XX ±.01    .XXX ±.005			THIS DOCUMENT IS THE PROPERTY OF RICHARDSON ELECTRONICS, LTD. AND SHALL NOT BE COPIED, REPRODUCED, USED IN THE MANUFACTURE OR SALE OF APPARATUS OR DISCLOSED TO OTHERS WITHOUT PERMISSION.
DO NOT SCALE DRAWING			Richardson Electronics, Ltd.
DRAWN	DSE	SCALE	NTS
ENG. MGR.		ENG. CHKD.	
ENG. MGR.		PRDN. APPD.	
MAT'L			
MAT'L. SPEC. NO.	—		NO. TUBE-EXTRACTOR - CHANGE
FINISH	—	PROD.	