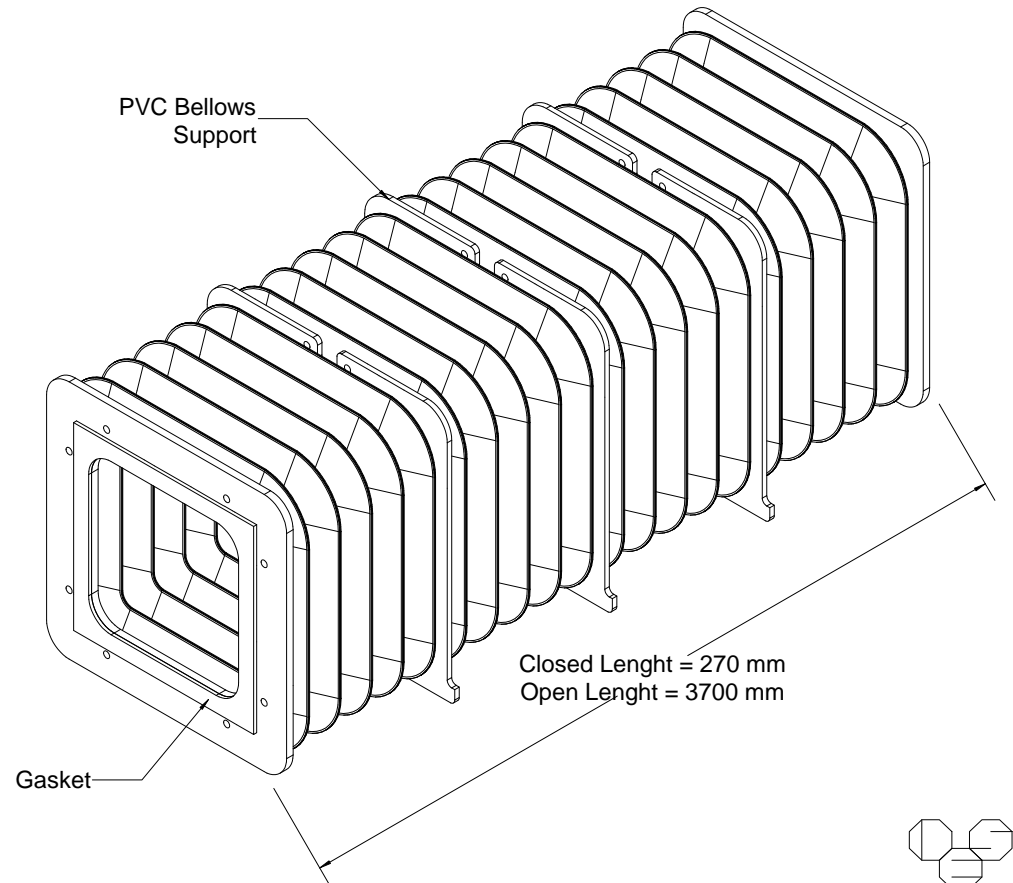
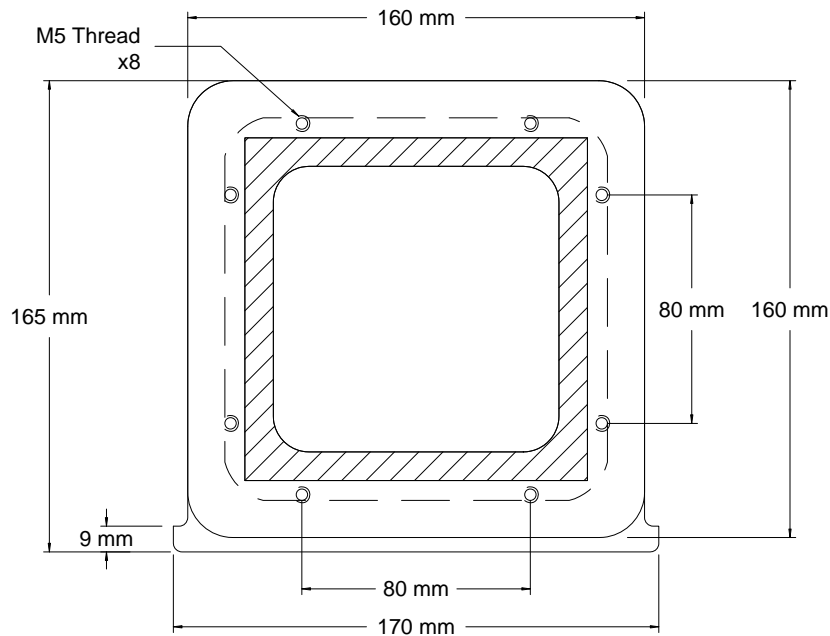


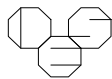
NO. RBT181/10BX3M
 SUPSDS.

| QTY | PRODUCT | NEXT ASSY. DWG. | NO. | DESCRIPTION OF CHANGE | SCO | DATE | BY |
|-----|---------|-----------------|-----|-----------------------|-----|----------|-----|
| | | | | NEW ISSUE | | 02/25/14 | DSE |
| | | | | | | | |
| | | | | | | | |



| TOLERANCES UNLESS OTHERWISE SPECIFIED | | | |
|---------------------------------------|-----|---------------------------------------|-----|
| FRACTIONS $\pm 1/64$ | | DECIMALS: .X $\pm .1$.XXX $\pm .005$ | |
| ANGLES $\pm 1/2^\circ$ | | .XX $\pm .0000$ $\pm .001$ | |
| DO NOT SCALE DRAWING | | | |
| DRAWN | DSE | SCALE | NTS |
| ENG. MGR. | | ENG. CHKD. | |
| ENG. MGR. | | PRODN. APPD. | |
| MAT'L | | | |
| MAT'L SPEC. NO. | | | |
| FINISH | | PROD. | |

THIS DOCUMENT IS THE PROPERTY OF RICHARDSON ELECTRONICS, LTD. AND SHALL NOT BE COPIED, REPRODUCED, USED IN THE MANUFACTURE OR SALE OF APPARATUS OR DISCLOSED TO OTHERS WITHOUT PERMISSION.

 Richardson Electronics, Ltd.

**X - BEAM BELLOWS
 REPLACES TRUMPF
 P/N 139850**

NO. RBT181/10BX3M REV. 0